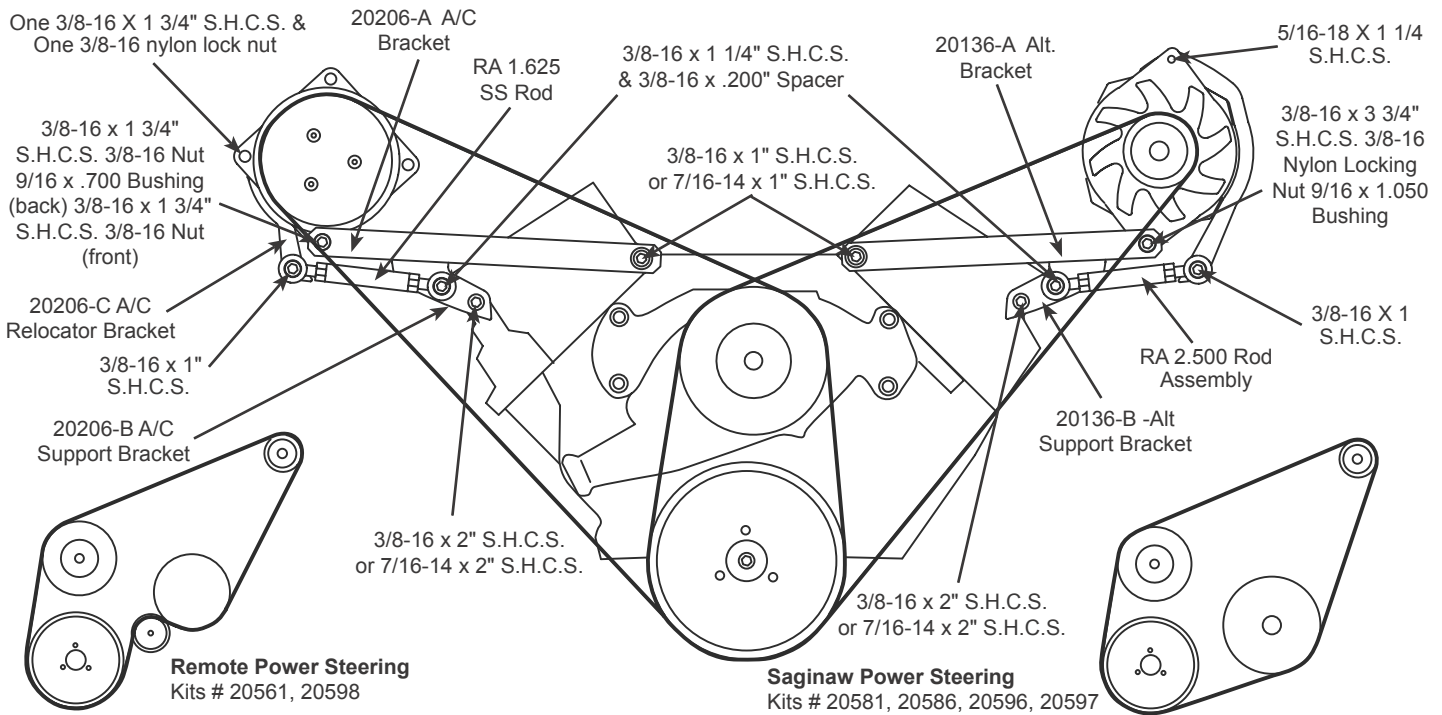




#20541, 20581, 20586, 20561, 20595, 20596, 20597, 20598

Chevy Big Block Outward Mount Alternator, A/C, P/S Bracket Kit

Revised 7-1-06



Parts List

S.H.C.S. = Socket Head Cap Screw H.H.S. = Hex Head Screw S.S. = Stainless Steel

Alternator

- 1- 20136-A Alt Bracket
- 1- 20136-B -Alt Support Bracket
- 1- 20144- Alt. Relocator Bracket
- 2- S250 3/8-16 x 1 1/4" SHCS(20136-B Alt. Support Bracket to 20136-A Alt Bracket)
- 1- S256 3/8-16 x 2" SHCS (20136-B -Alt Support Bracket to engine head)
- 1- S352 7/16-14 x 2" SHCS (20136-B -Alt Support Bracket to engine head-alternate)
- 1- S248 3/8-16 x 1" SHCS (20136-A Alt Bracket to engine head)
- 1- S344 7/16-14 x 1" SHCS (20136-A Alt Bracket to engine head-alternate)
- 1- S148 5/16-18 x 1 1/4" SHCS (20144- Alt. Relocator Bracket to Alternator)
- 1- S272 3/8-16 x 3 3/4" SHCS (20136-A Alt Bracket to Alternator)
- 1- BS3-1.050 9/16 x 1.050 True Positioning Bushing (20136-A Alt Bracket to Alternator)
- 1- S622 3/8-16 Nylon Locking Nut (20136-A Alt Bracket to Alternator)
- 1- RA 2.500 SS Rod
- 1- S250 3/8-16 x 1 1/4" SHCS (SS Rod to 20136-B -Alt Support Bracket)
- 1- A3.200 3/8 x .200 Spacer (between SS Rod & 20136-B -Alt Support Bracket)
- 1- S248 3/8-16 x 1" SHCS (SS Rod to 20144- Alt. Relocator Bracket)

A/C

- 1- 20206-A A/C Bracket
- 1- 20206-B A/C Support Bracket
- 1- 20206-C A/C Relocator Bracket
- 2- S250 3/8-16 x 1 1/4" SHCS(20206-B A/C Support Bracket to 20206-A A/C Bracket)

- 1- S256 3/8-16 x 2" SHCS (20206-B A/C Support Bracket to engine head)
- 1- S352 7/16-14 x 2" SHCS (20206-B A/C Support Bracket to engine head-alternate)
- 1- S248 3/8-16 x 1" SHCS (20206-A A/C Bracket to engine head)
- 1- S344 7/16-14 x 1" SHCS (20206-A A/C Bracket to engine head-alternate)
- 1- S254 3/8-16 x 1 3/4" SHCS (20206-C A/C Relocator Bracket to A/C)
- 1- S622 3/8-16 Nylon Locking Nut (20206-C A/C Relocator Bracket to A/C)
- 2- S254 3/8-16 x 1 3/4" SHCS (20206-A A/C Bracket to A/C - front & back)
- 2- S620 3/8-16 Nut (20206-A A/C Bracket to A/C -front & back)
- 1- BS3.700 9/16 x .700 True Positioning Bushing
- 1- RA 1.625 SS Rod
- 1- S250 3/8-16 x 1 1/4" SHCS (SS Rod to 20206-B A/C Support Bracket)
- 1- A3.200 3/8 x .200 Spacer (between SS Rod & 20206-B A/C Support Bracket)
- 1- S248 3/8-16 x 1" SHCS (SS Rod to 20206-C A/C Relocator Bracket)

Alt Only Kit

59" Belt

A/C Kit

60" Belt

Remote Power Steering

20117 Kit w/ 740 Idler Pulley, use 61" Belt

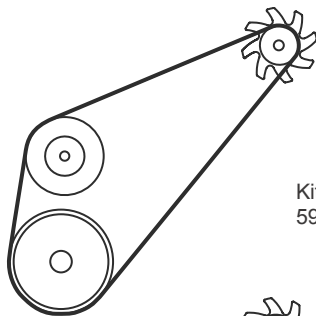
Saginaw Power Steering

20115 Kit, use 60" Belt

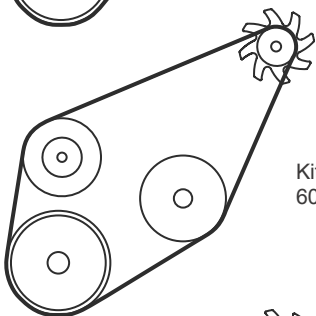
Assembly Instructions

Alternator Bracket (all kits)

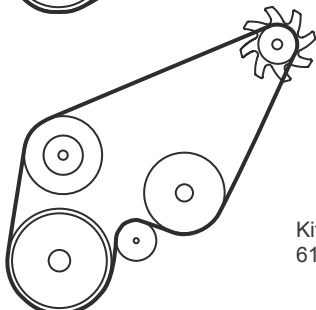
1. Bolt (20136-A) Alt. Bracket to engine head using one 3/8-16 x 1" socket head cap screw (note; some heads use one 7/16-14 x 1" socket head cap screw).
2. Bolt (20136-B) Alt. Support Bracket to engine head using one 3/8-16 x 2" socket head cap screw (note; some heads use one 7/16-14 x 2" socket head cap screw).
3. Bolt Alternator to (20136-A) Alt. Bracket using one 3/8-16 x 3 3/4" socket head cap screw, one 3/8-16 nylon locknut & one (BS3-1.050) 9/16 x 1.050 True Positioning Bushing.
4. Bolt (20144) Alt. Relocator Bracket to Alternator using one 5/16-18 x 1.25" socket head cap screw.
5. Bolt (RA 2.500) Stainless Steel Rod Assembly to (20144) Alt. Relocator Bracket using one 3/8-16 x 1" socket head cap screw.
6. If installing optional power steering kit, follow instructions supplied with that kit.
7. Install belt.
8. Bolt other end of (RA 2.500) Stainless Steel Rod Assembly to (20136-B) Alt. Support Bracket using one 3/8-16 x 1 1/4" socket head cap screw & one (A3.200) 3/8 x .200 Spacer between Stainless Steel Rod End & Alt. Support Bracket.
9. Adjust belt tension using (RA 2.500) Stainless Steel Rod Assembly.



Kit # 20541
59" Belt



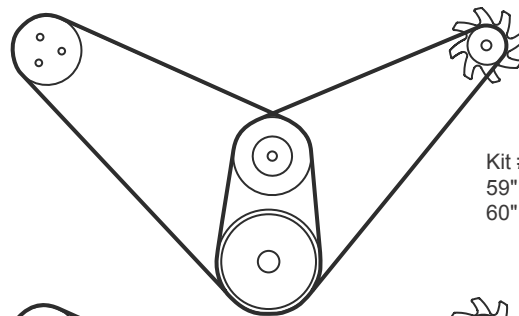
Kits # 20581 + 20586
60" Belt



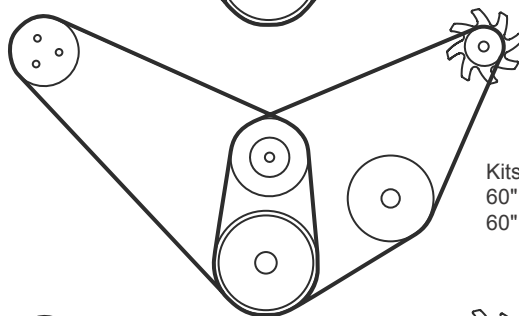
Kit # 20561
61" Belt

A/C Bracket (kits# 20595, 20596, 20597, 20598)

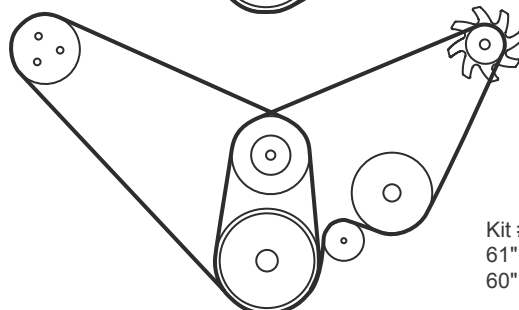
10. Bolt (20206-A) A/C Bracket to engine head using one 3/8-16 x 1" socket head cap screw (note; some heads use one 7/16-14 x 1" socket head cap screw).
11. Bolt (20206-B) A/C Support Bracket to engine head using one 3/8-16 x 2" socket head cap screw (note; some heads use one 7/16-14 x 2" socket head cap screw).
12. Bolt Air Conditioner to (20206-A) A/C Bracket using two 3/8-16 x 1.75" socket head cap screws, two 3/8-16 nuts & one (BS3-.700) 9/16 x .700 True Positioning Bushing.
13. Bolt (20206-C) A/C Relocator Bracket to Air Conditioner using one 3/8-16 x 1 3/4" socket head cap screw & one 3/8-16 nylon locknut.
14. Bolt (RA 1.625) Stainless Steel Rod Assembly to (20206-C) A/C Relocator Bracket using one 3/8-16 x 1" socket head cap screw.
15. Install belt (note; Air Conditioner Pulley has seven grooves, install belt to the six rear grooves to insure proper alignment).
16. Bolt other end of (RA 1.625) Stainless Steel Rod Assembly to (20206-B) A/C Support Bracket using one 3/8-16 x 1 1/4" socket head cap screw & one (A3.200) 3/8 x .200 Spacer between Stainless Steel Rod End & A/C Support Bracket .
17. Adjust belt tension using (RA 1.625) Stainless Steel Rod Assembly.



Kit # 20595
59" Belt (Alt.)
60" Belt (A/C.)



Kits # 20596 + 20597
60" Belt (Alt. + P/S)
60" Belt (A/C.)



Kit # 20598
61" Belt (Alt. + P/S)
60" Belt (A/C.)